

 **First** in Quality. Built to **Last**.



EASTEY CONVEYORS

VARIABLE SPEED CONVEYORS

MODELS

EC1248, EC1848, EC2472

RELIABLE PRODUCT TRANSPORT

Easteys' variable speed conveyors offer the quality that you have come to rely on from Easteys. The EC Series conveyors offer a reliable stand-alone product transport for primary or secondary product marking, and make a convenient add-on infeed or exit feed conveyor to existing case taping or shrink wrapping equipment.

DESIGNED FOR INK JET APPLICATIONS

The EC Series design is perfect for integration with ink jet printing equipment. Each conveyor comes pre-drilled in multiple locations to easily add printer and encoder mounting brackets. The smooth drive belt provides consistent speed for reliable, scannable barcoding and product transfer. Systems include a lower shelf with holes for cable management and provide storage for supplies such as spare printheads, printer and UV LED control boxes, spare ink, and more.

CONVENIENT PRODUCT TRANSPORT

Small footprint, seamless self-tracking belt, pre-drilled holes for printer hardware, and magnetic mounted control box make the Eastey Conveyor Series an ideal solution for case coding and product transport.

EASE OF USE

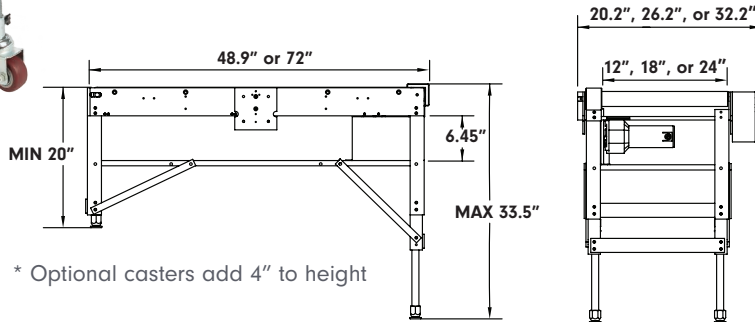
The conveyors utilize an endless belt with self-tracking V-groove for consistent alignment. The variable speed drive motor is adjustable up to 100 fpm for a variety of applications. The unit also features a magnetic control box that can be mounted on either side of the conveyor. Conveyor legs are adjustable from 20" up to 33.5". The system is designed to keep maintenance to a minimum and provide a fast and efficient method of product transport.

INDUSTRIAL STRENGTH OPERATION

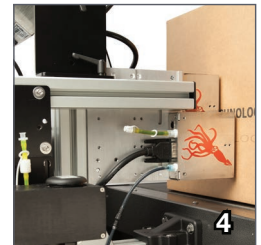
Heavy-duty motor, industrial strength drive belt, and a simple design make Eastey Series Conveyors a workhorse that will stand up to your toughest challenges. Each conveyor is made from 1/4" steel that will withstand even the most rugged applications. A custom two part epoxy finish protects the machine from abusive conditions and ensures years of use.

THE RIGHT SOLUTION

Rugged design. Modular control. Simple operation. Your benefits go on and on. When it comes to industrial operation, rely on Easteys to provide the right solution for your product handling needs.



* Optional casters add 4\"/>



1. Single or dual optional side rails are available for box or primary product guidance
2. Magnetic control box can be mounted on either side of conveyor
3. Shelf included for storage such as spare print heads, printer and UV LED control boxes, spare ink, and more
4. Pre-drilled printhead mounting plate makes for easy integration with ink jet printers and other equipment

EASTEY CONVEYOR FEATURES	CONVEYOR SPECIFICATIONS				
<ul style="list-style-type: none"> • Magnetic control box mounting • Pre-drilled mounting plate for printer brackets (standard conveyor includes one plate) • Shelf for various storage • Small space-saving footprint • Seamless self-tracking belt • 1/4" cold rolled steel • Variable speed drive • Optional guide rails available • Safety cover over pinch points • Adjustable conveyor height • Smooth, consistent belt speed 	Machinery Makeup	Industrial strength 12 gauge steel, powdered coated for durability			
	Variable Speed	Up to 100 fpm			
	Conveyor Height Adj.	20" to 33.5" without casters; 24" to 37.5" with casters			
	Electrical Requirements	110V 5A Single Phase			
	MODEL	Length	Machine Width	Conveyor Width	Weight
EC1248	48.9"	20.2"	12"	160 lbs.	
EC1848	48.9"	26.2"	18"	250 lbs.	
EC2472	72"	32.2"	24"	300 lbs.	

EASTEY CONVEYOR OPTIONAL ACCESSORIES	
Casters	Lockable casters for easy movement throughout the plant
Additional Printhead Mounting Plate	Predrilled to mount full family of Squid Ink Printing Systems
Guide Rails	Heavy-duty adjustable height and reach to align product for consistent print (sold separately per side)



7041 Boone Avenue North, Brooklyn Park, MN 55428
 (763) 428-4846 1 (800) 835-9344
 www.eastey.com info@eastey.com

